

2-Phase Cutout Replacement

(Journeyman)

Chief Judge: Chad Williams

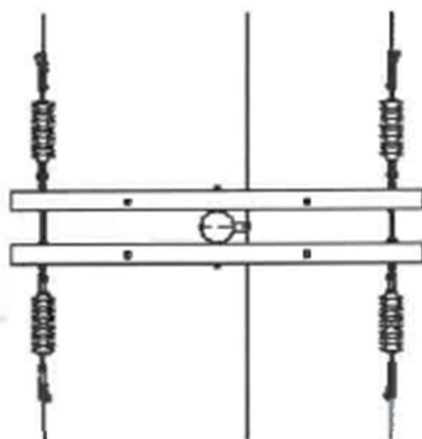
Mean Time: 11 Minutes

Drop Dead Time: 14 Minutes

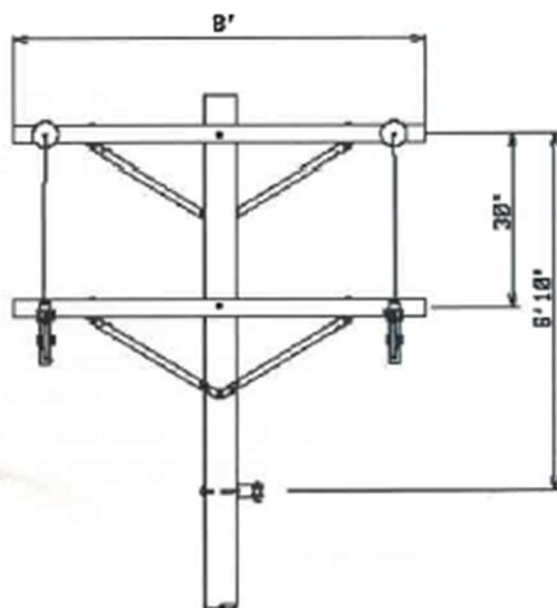
Event Summary: This event is simulated energized at 12KV. Teams will replace two 15KV cutout units mounted on opposing ends of an 8' crossarm. The load cannot be interrupted. The construction will be a two phase double dead end with a switch arm and neutral.

Event Description:

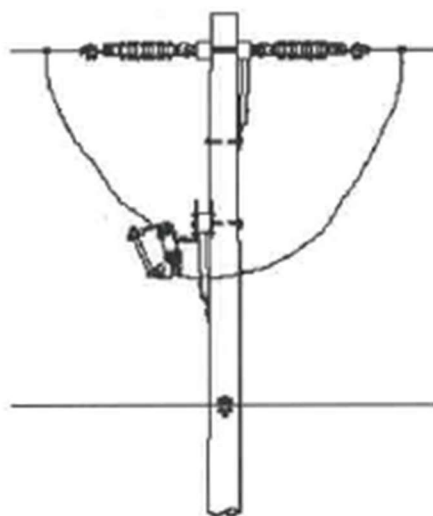
1. Teams will be allowed a 5-minute setup time. The team may direct questions to the judge at this time.
2. Teams will pickup new fuses and jumpers as they enter the event site. New jumpers will be cut to length and shall be verified by each team. Hot line clamps can be installed on the jumpers during the setup time.
3. All tools and cover must be kept off the ground using a tarp supplied by the competitor in the designed work area.
4. Time will start at the judge's signal with the fall arrest device not attached to the pole.
5. Fuses and jumpers will be installed on the new cutouts after the event time begins.
6. The neutral and clevis must be covered with rated cover-up.
7. Minimum approach distances must be maintained.
8. All permanent connections shall be brushed.
9. Electric continuity must be maintained at all times. Temporary mechanical jumpers must be used and must be rated for a minimum of 15KV. The mechanical jumpers can be installed with hot sticks and control shall be maintained at all times. No incidental contact will be allowed with unprotected jumpers. A section of rated line hose may be placed on the mechanical jumper to prevent incidental contact with the crossarm or lineman.
10. Time stops when the last climber has both feet on the ground and fall arrest device removed from the pole.
11. Judging will continue until all material is picked up and the event site is restored to the original condition.
12. All general rules apply.



TOP VIEW



FRONT VIEW



SIDE VIEW

JOURNEYMAN
CUTOUT REPLACEMENT